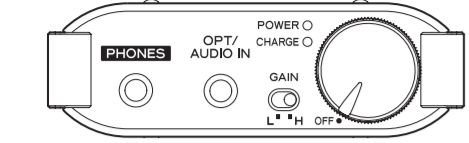


TEAC

Portable Headphone Amplifier/USB DAC

OWNER'S MANUAL

HA-P50/HA-P50SE



*Made for iPod,*Made for iPhone,*and *Made for iPad* mean that an electronic accessory has been designed to connect specifically to iPod, iPhone, or iPad, respectively, and has been certified by the developer to meet Apple performance standards.

Apple is not responsible for the operation of this device or its compliance with safety and regulatory standards. Please note that the use of this accessory with iPod, iPhone, or iPad may affect wireless performance. Apple, Mac, Mac OS and OS X are trademarks of Apple Inc., registered in the U.S. and other countries. Android is a trademark of Google Inc. Microsoft, Windows and Windows Vista are either registered trademarks or trademarks of Microsoft Corporation in the United States and/or other countries. Other company names and product names in this document are the trademarks or registered trademarks of their respective owners.

IMPORTANT SAFETY INSTRUCTIONS

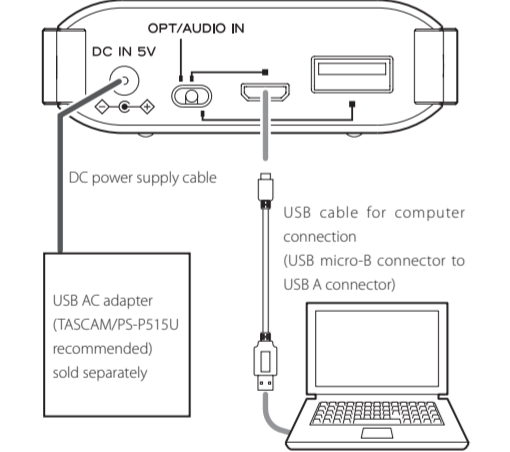
The exclamation point within an equilateral triangle is intended to alert the user to the presence of important operating and maintenance (servicing) instructions in the literature accompanying the appliance.

WARNING: TO PREVENT FIRE OR SHOCK HAZARD, DO NOT EXPOSE THIS APPLIANCE TO RAIN OR MOISTURE.

- CAUTION**
- DO NOT REMOVE THE EXTERNAL CASES OR CABINETS TO EXPOSE THE ELECTRONICS. NO USER SERVICEABLE PARTS ARE INSIDE.
 - IF YOU ARE EXPERIENCING PROBLEMS WITH THIS PRODUCT, CONTACT THE STORE WHERE YOU PURCHASED THE UNIT FOR A SERVICE REFERRAL. DO NOT USE THE PRODUCT UNTIL IT HAS BEEN REPAIRED.
 - USE OF CONTROLS OR ADJUSTMENTS OR PERFORMANCE OF PROCEDURES OTHER THAN THOSE SPECIFIED HEREIN MAY RESULT IN HAZARDOUS RADIATION EXPOSURE.

Recharging

- Charge it before using the unit the first time after purchase and after it has not been used for a long time.



- Make sure the temperature of the surrounding environment is between 5–35°C when charging. Charging might not occur properly outside this temperature range.
- A computer connected using the included USB cable can also charge the unit.
- Always connect this unit and the computer directly. If connected through a USB hub or other device, charging might not occur properly.
- When connected to a computer, charging might not start if the computer does not recognize this unit as a valid USB device.
- An AC adapter (TASCAM/PS-P515U) that works with this unit is available for purchase. Connect the included DC power supply cable to it to charge the unit. The maximum current when charging is 1 A. Compared to charging from a computer, the unit can be charged more rapidly by using a DC power supply.
- When the included DC power supply cable and the USB cable for computer connection are both connected, the unit will charge from the DC power supply cable. Power will not be supplied from the computer in this case.

Model for USA

This device complies with part 15 of the FCC Rules. Operation is subject to the following two conditions: (1) This device may not cause harmful interference, and (2) this device must accept any interference received, including interference that may cause undesired operation.

CAUTION

Changes or modifications to this equipment not expressly approved by TEAC CORPORATION for compliance will void the user's warranty. This equipment has been tested and found to comply with the limits for a Class B digital device, pursuant to Part 15 of the FCC Rules. These limits are designed to provide reasonable protection against harmful interference in a residential installation. This equipment generates, uses, and can radiate radio frequency energy and, if not installed and used in accordance with the instructions, may cause harmful interference to radio communications. However, there is no guarantee that interference will not occur in a particular installation. If this equipment does cause harmful interference to radio or television reception, which can be determined by turning the equipment off and on, the user is encouraged to try to correct the interference by one or more of the following measures:

- Reorient or relocate the equipment and/or the receiving antenna.
- Increase the separation between the equipment and receiver.
- Connect the equipment into an outlet on a circuit different from that to which the receiver is connected.
- Consult the dealer or an experienced radio/TV technician for help.

Model for Canada

Industry Canada's Compliance Statement: This Class B digital apparatus complies with Canadian ICES-003. Cet appareil numérique de la classe B est conforme à la norme NMB-003 du Canada.

- Read these instructions.
- Keep these instructions.
- Heed all warnings.
- Follow all instructions.
- Do not use this apparatus near water.
- Clean only with dry cloth.
- Do not install near any heat sources such as radiators, heat registers, stoves, or other apparatus (including amplifiers) that produce heat.
- Only use attachments/accessories specified by the manufacturer.
- Refer all servicing to qualified service personnel. Servicing is required when the apparatus has been damaged in any way, such as power-supply cord or plug is damaged, liquid has been spilled or objects have fallen into the apparatus, the apparatus has been exposed to rain or moisture, does not operate normally, or has been dropped.
- Caution should be taken when using earphones or headphones with the product because excessive sound pressure (volume) from earphones or headphones can cause hearing loss.

WARNING

To prevent possible hearing damage, do not listen at high volume levels for long periods.

CAUTION

- Do not expose this apparatus to drips or splashes.
- If the product uses batteries (including a battery pack or installed batteries), they should not be exposed to sunshine, fire or excessive heat.

DECLARATION OF CONFORMITY

Herby, TEAC Corporation declares that the product complies with the European Directives request and the other Commission Regulations.



For European Customer

Disposal of electrical and electronic equipment and batteries and/or accumulators

- All electrical/electronic equipment and waste batteries/accumulators should be disposed of separately from the municipal waste stream via collection facilities designated by the government or local authorities.
- By disposing of electrical/electronic equipment and waste batteries/accumulators correctly, you will help save valuable resources and prevent any potential negative effects on human health and the environment.
- Improper disposal of waste electrical/electronic equipment and batteries/accumulators can have serious effects on the environment and human health because of the presence of hazardous substances in the equipment.
- The Waste Electrical and Electronic Equipment (WEEE) symbols, which show wheeled bins that have been crossed out, indicate that electrical/electronic equipment and batteries/accumulators must be collected and disposed of separately from household waste. If a battery or accumulator contains more than the specified values of lead (Pb), mercury (Hg), and/or cadmium (Cd) as defined in the Battery Directive (2006/66/EC), then the chemical symbols for those elements will be indicated beneath the WEEE symbol.
- Return and collection systems are available to end users. For more detailed information about the disposal of old electrical/electronic equipment and waste batteries/accumulators, please contact your city office, waste disposal service or the shop where you purchased the equipment.



Pb, Hg, Cd

Introduction

Thank you for choosing TEAC. Read this manual carefully to get the best performance from this unit. After reading this manual, keep it in a safe place for future reference.

Included accessories

Check to be sure the box includes all the supplied accessories shown below. Please contact the store where you purchased this unit if any of these accessories are missing or have been damaged during transportation.

- DC power supply cable (DC plug to USB A connector) × 1
- USB cable for computer connection (USB micro-B connector to USB A connector) × 1
- Rubber bands for attachment* × 2
- Owner's manual (this document including warranty) × 1
- *Use to attach a music player or other device to this unit.

Features

This portable headphone amplifier with a built-in USB DAC supports both Apple iOS and Android products. Using asynchronous mode that supports 96kHz/24-bit audio over USB, this unit can convert signals from digital to analog accurately using its built-in high-precision clock to enable playback of high-resolution audio contents. Moreover, AOA 2.0 connection, which enables audio playback at CD quality (44.1kHz/16-bit), is supported for devices running Android 4.1 or later. (This does not guarantee operation with all Android devices). In addition to USB inputs, this unit also has an analog/optical digital input jack, enabling support for input from a variety of devices.

Product registration

Customers in the USA, please visit the following TEAC website to register your TEAC product online.
<http://audio.teac.com/support/registration/>

Using the TEAC Global Site

You can download updates for this unit from the TEAC Global Site: <http://teac-global.com/>

- Open the TEAC Global Site.
- In the TEAC Downloads section, click the desired language to open the Downloads website page for that language.

NOTE

- If the desired language does not appear, click Other Languages.
- Click the "Search by Model Name" section to open the Downloads page for that product. (Users in Europe should click the product name in the "Products" section instead.)
- Select and download any updates that are needed.

Apple products that can be used with this unit

This unit can be connected to and used with the following Apple products.

- iPhone 5s, iPhone 5c, iPhone 5 iPad Retina (4th generation), iPad Air, iPad mini, iPad mini Retina iPod touch (5th generation), iPod nano (7th generation)**
- Always use the USB cable that was included with the iPod, iPhone or iPad to connect it to this unit's iPod/iPhone/iPad/Android device connection port. Operation cannot be guaranteed when using a non-genuine cable.

Placement precautions

- Do not put anything on top of the unit.
- Avoid placing the unit in direct sunlight or close to any source of heat, such as a radiator, heater, open fireplace or amplifier. Also avoid locations that are subject to vibrations or exposed to excessive dust, cold or moisture.
- Place the unit in a stable location near the audio system that you will use with it.
- The voltage supplied to the unit should match the voltage printed on the rear panel. If you are in any doubt regarding this matter, consult an electrician.
- Do not open the body of the unit as this might result in damage to the circuitry or cause electric shock. If a foreign object should get into the unit, contact your dealer.
- When removing the power plug from the wall outlet, always pull directly on the plug; never jerk on the cord.

Specifications

Frequency response10 Hz–100 kHz (when using AUDIO IN)
Supported headphone impedance8–600 Ω
Maximum input (AUDIO IN)1 Wrms
Effective maximum headphone output	160 mW + 160 mW (32 Ω, 1 kHz, 10%, JET1A) 65 mW + 65 mW (300 Ω, 1 kHz, 10%, JET1A) 35 mW + 35 mW (600 Ω, 1 kHz, 10%, JET1A)
Operating temperature0°C to +40°C
Battery operation time (when load is 32 Ω and output is 1 mW + 1 mW)Approx. 12 hours
AUDIO INApprox. 8 hours
Apple iOS deviceApprox. 8 hours
	• The operation time when using batteries will differ depending on use and other conditions.
Charging timeApprox. 8 hours (using USB)Approx. 4 hours (using PS-P515U with DC input)
External dimensions64 × 112 × 21.7 mm (2 5/8" × 4 1/2" × 7/8") (W × D × H, not including protrusions)
Weight210 g (1/2 lb)
Supported sampling frequency/bit depth96 kHz/24-bit
Recommended AC adapterTASCAM/PS-P515U (sold separately)

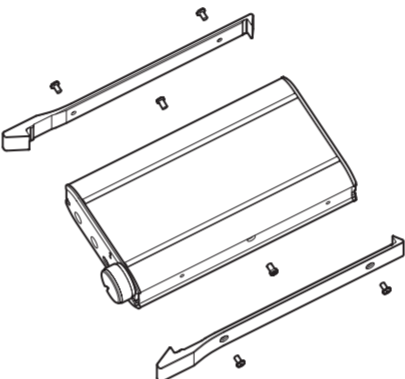
- Design and specifications are subject to change without notice.
- Weight and dimensions are approximate.
- Illustrations may differ slightly from production models.

Removing the rechargeable battery

Before removing the rechargeable battery, turn the unit on and drain the battery until the unit completely stops operating. If the automatic power saving function activates, turn the unit off and on again.

- To disassemble this unit, you will need a Phillips head screwdriver (#0) and a 1.3mm hex key.

1 Remove the 6 screws from the sides of the unit.



Supported operating systems

Computers running the following operating systems can be connected by USB to this unit.

This unit can be operated with the standard OS driver, so there is no need to install a driver.

Microsoft Windows
Windows Vista, Windows 7, Windows 8, Windows 8.1, Windows 10

Mac OS X
Mac OS X 10.6.4 or later (Snow Leopard)
OS X Lion 10.7
OS X Mountain Lion 10.8
OS X Mavericks 10.9
OS X Yosemite 10.10

Use with operating systems other than the above is not guaranteed.

Playback application software

Our TEAC HR Audio Player application (Windows and Mac versions available) supports the playback of high-resolution audio files. You can download it from the following page on our website.
<http://teac-global.com/>

Basic operation

- Set the input switch according to the input source.**
- Turn this unit on.**
Set the volume at a low level.
- Start playback on the selected input source device.**
- Turn this unit's power/volume knob to adjust the volume.**

Download the latest firmware

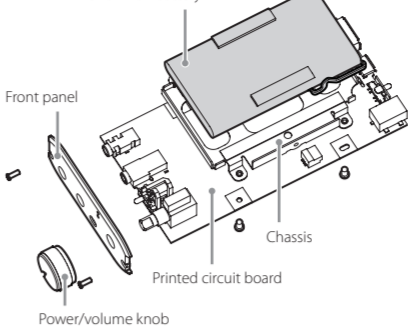
Download the latest firmware from the TEAC Global Site. (If no firmware is listed, no firmware update is available.)
<http://teac-global.com/>

Troubleshooting

If you experience a problem with this unit, please check the following items before requesting service. If it still does not operate correctly, contact the retailer where you purchased the unit.

- The unit does not turn on.**
- If the remaining battery charge is too low, the unit will not turn on. Supply power to the unit through the DC plug or the USB micro-B port.
 - Has the automatic power saving function put the unit to sleep? Turn the volume knob counterclockwise to turn the unit off once.
- No sound is output.**
- Use the volume knob to adjust the volume.
 - Confirm that the input selection switch is set to the port connected to the playback device that you are using.
 - Confirm that the connected device is playing back.
 - Confirm the PHONES jack connection.

2 Pull out the power/volume knob, and remove the 2 screws that are attaching the front panel.



3 Remove the printed circuit board from the unit, and then remove the 4 screws that are attaching the chassis.

4 Disconnect the battery connector beneath the chassis.

5 The lithium-ion battery and chassis are attached using double-sided tape, so pull the battery away from the chassis to remove it.

If you have questions about the handling of this product, please contact the store where you purchased the unit.

Request regarding the disposal of this product

This product has a built-in lithium-ion rechargeable battery. When disposing of this product, please check with the shop where you purchased it or a nearby government agency for instructions about how to dispose of the battery. Please follow local laws.



Instructions for removing the battery are provided for places where laws require batteries to be removed.

- CAUTION**
- Never disassemble this unit at any time other than before disposal.**
 - To replace the rechargeable battery, contact the store where you purchased the product.**
- Lithium-ion batteries are valuable resources that can be recycled. Please cooperate in recycling them.
- If you have any questions, please contact the store where you purchased the product.

INSTRUCTIONS DE SÉCURITÉ IMPORTANTES

- Des précautions doivent être prises pour l'emploi d'écouteurs ou d'un casque avec le produit car une pression acoustique (volume) excessive dans les écouteurs ou dans le casque peut provoquer une perte d'audition.

AVERTISSEMENT

⚠ Pour éviter les dommages auditifs, n'écoutez pas à un volume élevé pendant de longues périodes.

ATTENTION

- N'exposez pas cet appareil aux gouttes ni aux éclaboussures.
- Si le produit utilise des batteries (y compris un pack d'accus ou des batteries fixes), elles ne doivent pas être exposées au soleil, au feu ou à une chaleur excessive.

DECLARATION DE CONFORMITÉ

Par la présente, TEAC Corporation déclare que le produit est en conformité avec les exigences des directives européennes et des réglementations de la Commission.



Pour les consommateurs européens

Mise au rebut des équipements électriques et électroniques et des piles et/ou accumulateurs

- Tout équipement électrique/électronique et pile/accumulateur hors d'usage doit être traité séparément de la collecte municipale d'ordures ménagères dans des points de collecte désignés par le gouvernement ou les autorités locales.
- En vous débarrassant correctement des équipements électriques/électroniques et piles/accumulateurs hors d'usage, vous contribuerez à la sauvegarde de précieuses ressources et à la prévention de potentiels effets négatifs sur la santé humaine et l'environnement.
- Le traitement incorrect des équipements électriques/électroniques et piles/accumulateurs hors d'usage peut avoir des effets graves sur l'environnement et la santé humaine en raison de la présence de substances dangereuses dans les équipements.
- Le symbole de déchets d'équipements électriques et électroniques (DEEE), qui représente une poubelle à roulettes barrée d'une croix, indique que les équipements électriques/électroniques et piles/accumulateurs doivent être collectés et traités séparément des déchets ménagers. Si une pile ou un accumulateur contient plus que les valeurs de plomb (Pb), mercure (Hg) et/ou cadmium (Cd) spécifiées dans la directive sur les piles et accumulateurs (2006/66/CE), alors les symboles chimiques de ces éléments seront indiqués sous le symbole DEEE.
- Des systèmes de retour et de collecte sont disponibles pour l'utilisateur final. Pour des informations plus détaillées sur la mise au rebut des vieux équipements électriques/électroniques et piles/accumulateurs hors d'usage, veuillez contacter votre mairie, le service d'ordures ménagères ou le magasin dans lequel vous avez acquis l'équipement.



Pb, Hg, Cd

Ces produits Apple peuvent être connectés et utilisés avec cette unité :

- iPhone 5s, iPhone 5c, iPhone 5 iPad Retina (4e génération), iPad Air, iPad mini, iPad mini Retina iPod touch (5e génération), iPod nano (7e génération)**
- Utilisez toujours le câble USB qui était fourni avec l'iPod, l'iPhone ou l'iPad pour le connecter au port de connexion pour iPod/iPhone/iPad/appareil Android de cette unité. Un bon fonctionnement ne peut pas être garanti si vous utilisez un autre câble que celui d'origine.

Introduction

Nous vous remercions d'avoir choisi TEAC. Lisez ce mode d'emploi avec attention pour tirer les meilleures performances de cette unité. Après avoir lu ce mode d'emploi, gardez-le en lieu sûr pour vous y référer ultérieurement.

Fonction d'économie automatique d'énergie

Cette unité passera automatiquement en mode de veille dans les circonstances suivantes.

- Après 30 minutes sans entrée audio.
- Après 30 minutes sans casque connecté à la prise PHONES.

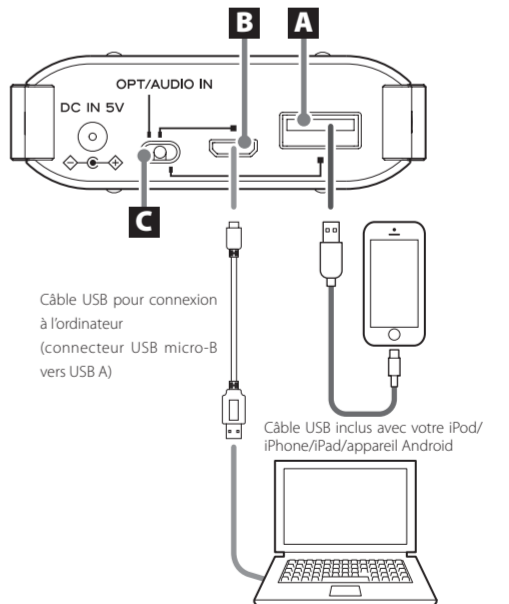
ATTENTION

Pour mettre fin au mode de veille, tournez le bouton de volume dans le sens antihoraire jusqu'à ce que l'unité s'éteigne.

Branchements

Terminez tous les branchements avant d'allumer l'unité.

- Lisez les modes d'emploi de tous les appareils qui seront connectés et suivez leurs instructions.
- Ne regroupez pas les câbles de connexion avec le cordon d'alimentation. Cela pourrait entraîner des bruits.
- Branchez bien toutes les fiches.



Port de connexion pour iPod/iPhone/iPad/appareil Android

Utilisez le câble USB fourni avec l'iPod/iPhone/iPad/appareil Android pour relier celui-ci à l'ordinateur.

- Branchez autre chose qu'un iPod/iPhone/iPad pourrait réduire significativement l'autonomie de la batterie.

Port de connexion d'ordinateur

Utilisez le câble USB fourni pour la connexion à l'ordinateur (connecteur USB micro-B vers USB A) pour relier cette unité à un ordinateur.

Sélecteur d'entrée

Utilisez ce sélecteur pour choisir la source d'entrée.

Accessoires fournis

Vérifiez que vous disposez bien de tous les accessoires représentés ci-dessous. Veuillez contacter le magasin dans lequel vous avez acheté cette unité si l'un de ces accessoires manque ou si le casque peut provoquer une perte d'audition.

- Câble d'alimentation CC (fiche CC vers connecteur USB A) × 1
- Câble USB pour connecter l'ordinateur (connecteur USB micro-B vers USB A) × 1
- Bandes de caoutchouc pour la fixation* × 2
- Mode d'emploi (ce document, y compris la garantie) × 1
- *Servent à fixer un lecteur de musique ou autre appareil à cette unité.

Caractéristiques

Cet amplificateur de casque portable avec convertisseur N/A USB intégré prend en charge les produits iOS Apple et Android. Utilisant un monde asynchrone qui gère l'audio 96 kHz/24 bits par USB, cette unité peut fidèlement convertir le numérique en analogique au moyen de son horloge intégrée de haute précision pour permettre la reproduction de données audio à haute résolution. De plus, la connexion AOA 2.0, qui permet la lecture audio en qualité CD (44.1 kHz/16 bits), est prise en charge pour les appareils sous Android 4.1 ou ultérieur. (Cela ne garantit pas le fonctionnement avec tous les appareils Android.) En plus de l'entrée USB, cette unité possède également une prise d'entrée analogique/numérique optique permettant de faire entrer divers appareils.

Utilisation du site mondial TEAC

Vous pouvez télécharger des mises à jour pour cette unité depuis le site mondial TEAC : <http://teac-global.com/>

- Allez sur le site mondial TEAC.
- Dans la section TEAC Downloads (téléchargements TEAC), cliquez sur la langue souhaitée afin d'ouvrir la page de téléchargement du site web pour cette langue.

NOTE

- Si votre langue n'apparaît pas, cliquez sur Other Languages (autres langues).
- Cliquez sur la section « Search by Model Name » (recherche par nom de modèle) afin d'ouvrir la page Downloads (téléchargements) pour ce produit (les utilisateurs en Europe doivent cliquer sur le nom du produit dans la section « Products » (produits)).
- Sélectionnez et téléchargez toute mise à jour nécessaire.

Produits Apple qui peuvent être utilisés avec cette unité

Ces produits Apple peuvent être connectés et utilisés avec cette unité :

- iPhone 5s, iPhone 5c, iPhone 5 iPad Retina (4e génération), iPad Air, iPad mini, iPad mini Retina iPod touch (5e génération), iPod nano (7e génération)**
- Utilisez toujours le câble USB qui était fourni avec l'iPod, l'iPhone ou l'iPad pour le connecter au port de connexion pour iPod/iPhone/iPad/appareil Android de cette unité. Un bon fonctionnement ne peut pas être garanti si vous utilisez un autre câble que celui d'origine.

Systèmes d'exploitation acceptés

Des ordinateurs fonctionnant sous les systèmes d'exploitation suivants peuvent être connectés par USB à cette unité. Elle peut fonctionner avec le pilote standard du système d'exploitation, donc il n'y a pas besoin d'installer de pilote.

Microsoft Windows
Windows Vista, Windows 7, Windows 8, Windows 8.1, Windows 10

Mac OS X
Mac OS X 10.6.4 (Snow Leopard) ou ultérieur
OS X Lion 10.7
OS X Mountain Lion 10.8
OS X Mavericks 10.9
OS X Yosemite 10.10

Le fonctionnement avec d'autres systèmes d'exploitation n'est pas garanti.

Logiciel de lecture

Notre application TEAC HR Audio Player (pour Windows et Mac OS) prend en charge la lecture des fichiers audio à haute résolution. Vous pouvez la télécharger depuis la page suivante de notre site web.
<http://teac-global.com/>

Fonctionnement de base

- Réglez le sélecteur d'entrée en fonction de la source d'entrée.**
- Allumez cette unité.**
Réglez le volume à un niveau bas.
- Lancez la lecture sur l'appareil source branché à l'entrée sélectionnée.**
- Tournez le bouton d'alimentation/volume de cette unité pour régler le volume.**

Télécharger le dernier firmware

Téléchargez le firmware le plus récent depuis le site mondial TEAC. (Si aucun firmware n'est répertorié, c'est qu'aucune mise à jour de firmware n'est disponible.)
<http://teac-global.com/>

Guide de dépannage

Si vous avez des problèmes avec cette unité, veuillez vérifier les points suivants avant de demander une intervention. Si cette unité ne fonctionne toujours pas correctement, contactez le revendeur chez qui vous l'avez achetée.

- L'unité ne s'allume pas.**
- Si la charge restant dans la batterie est trop faible, l'unité ne s'allume pas. Alimentez l'unité par la fiche CC ou le port USB micro-B.
 - La fonction d'économie automatique d'énergie a-t-elle fait passer l'unité en veille ? Tournez le bouton de volume dans le sens antihoraire pour éteindre l'unité.
- Aucun son n'est produit.**
- Utilisez le bouton de volume pour régler le volume.
 - Vérifiez que le sélecteur d'entrée est réglé sur le port auquel vous avez connecté l'appareil source de lecture.
 - Vérifiez que l'appareil connecté est en lecture.
 - Vérifiez la connexion à la prise PHONES.

